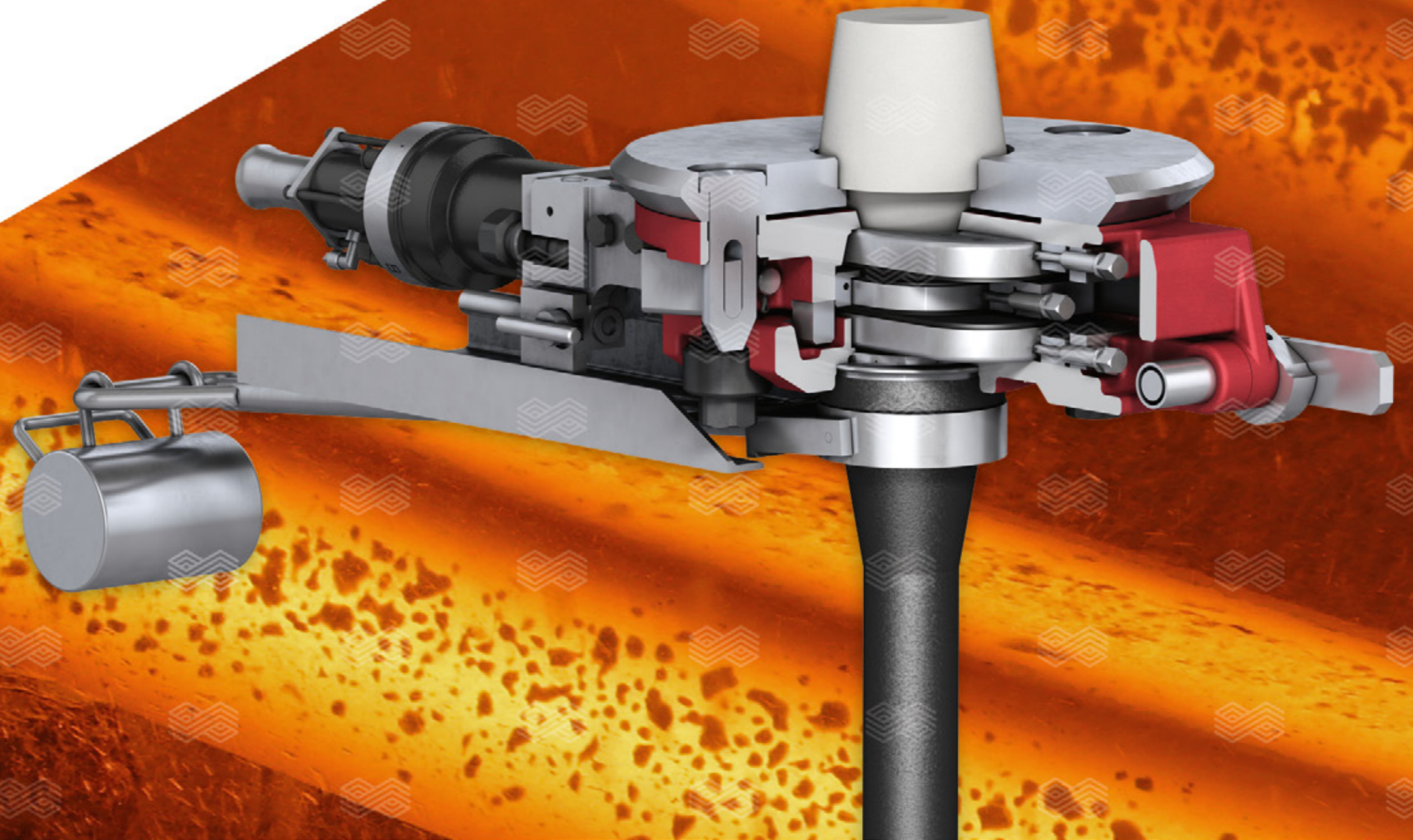


INTERSTOP®



STEEL / FLOW CONTROL TECHNOLOGY

Tundish Gate INTERSTOP® 13QC/A



Tundish Gate INTERSTOP® 13QC/A

Overview

- Tundish slide gate for billets and blooms
- Air tight system
- Play-free drive
- Process control technology for automatic casting
- Compact design

System Characteristics

- Three-plate gate system
- Fully automatic casting operation
- Inert gas application on tundish nozzle and joints
- Gate assembly online or off-line
- Minimized number of components
- Easy assembly and maintenance
- Fastening with wedges or bolts

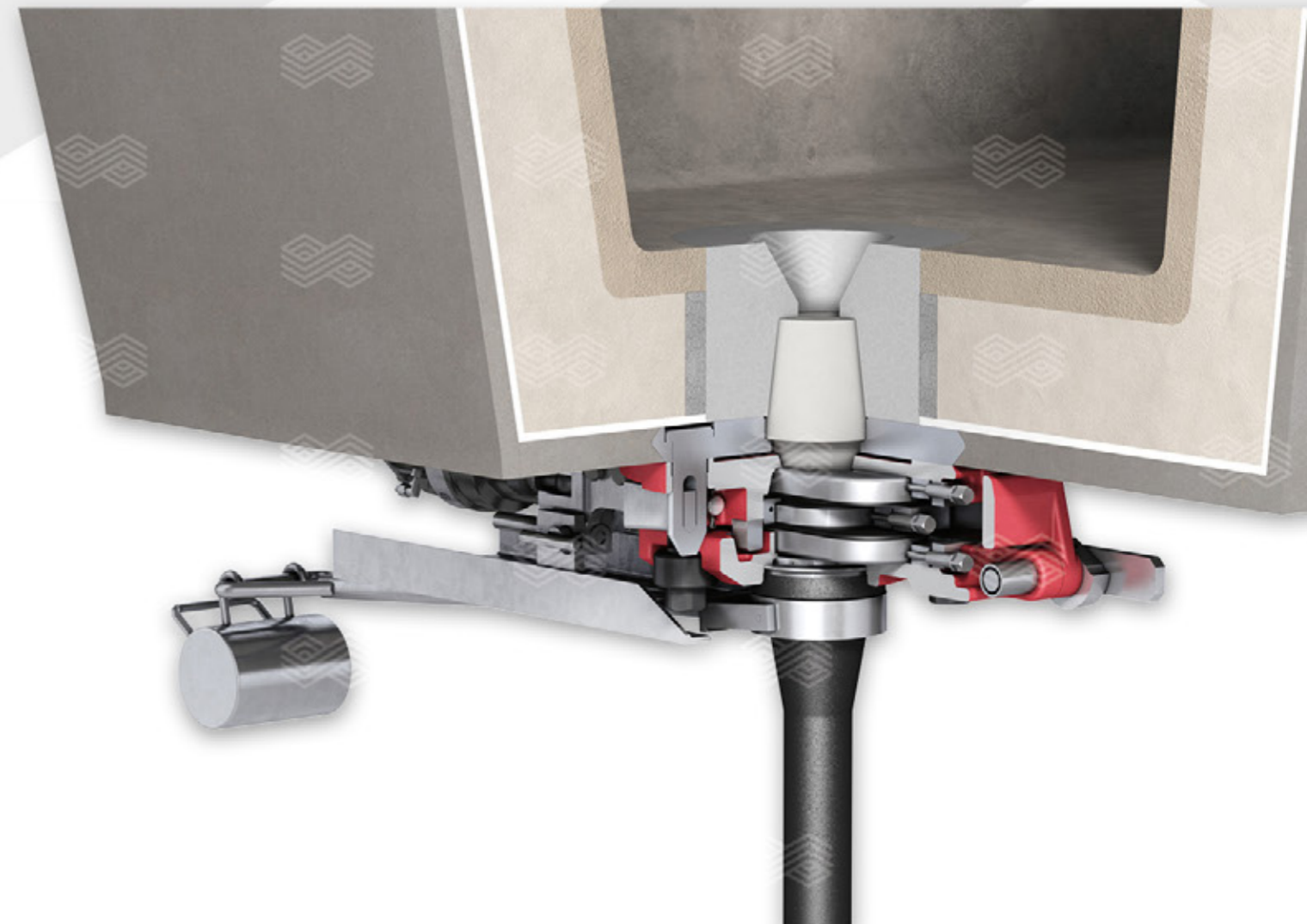
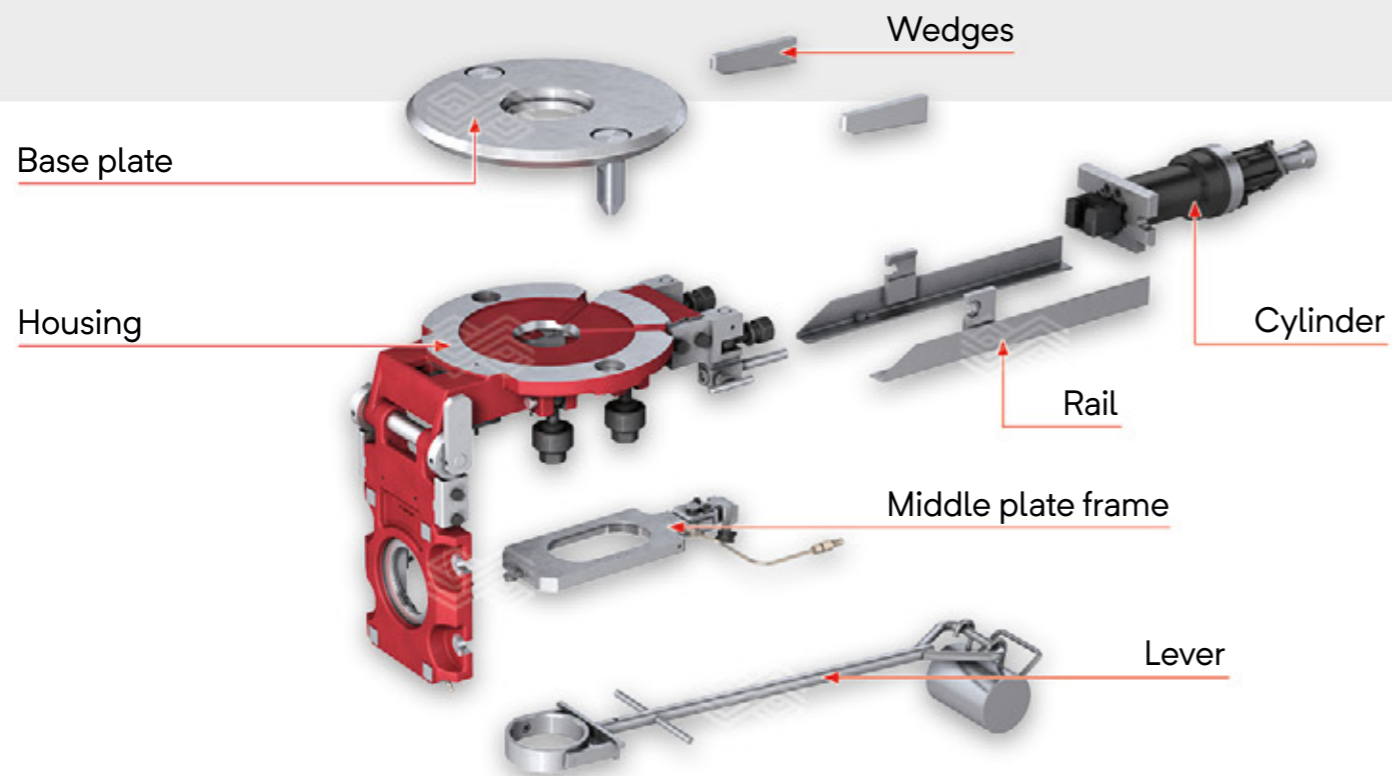
INTERSTOP® Flow Control Technology

- Monitoring by process visualization
- Automatic start-up
- Automatic mold level control
- Automatic emergency functions
- Precise steel flow regulation
- End of casting program

Maintenance and Support

- Minimal maintenance work required
- Long lifetime of parts
- Long inspection intervals, short inspection time
- INTERSTOP® after sales service

Main Parts



Imprint:

Media owner and publisher: RHI Magnesita N.V., Branch Vienna, Kranichberggasse 6, 1120 Vienna, Austria

Produced by: RHI Magnesita — 05/ 2020-EN

Place of publication and production: Vienna, Austria



Copyright notice:

The texts, photographs and graphic design contained in this publication are protected by copyright. Unless indicated otherwise, the related rights of use, especially the rights of reproduction, dissemination, provision and editing, are held exclusively by RHI Magnesita. Usage of this publication shall only be permitted for personal information purposes. Any type of use going beyond that, especially reproduction, editing, other usage or commercial use is subject to explicit prior written approval by RHI Magnesita.

RHI Magnesita Interstop AG

Bösch 83a, 6331 Hünenberg, Switzerland

T +41 41 785 75 00

E interstop@rhimagnesita.com

RHI TRADING (DALIAN) CO., LTD

Shanghai Branch

Rm. 1803 Lippo Plaza, No. 222 Huaihai (M) Rd. 200021 Shanghai, P. R. China

T +86 21 23199507

E interstop@rhimagnesita.com

RHI US LTD.

3956 Virginia Avenue, Cincinnati, Ohio 45227 USA

T +1 513 527 6160

E interstop@rhimagnesita.com

RHI Magnesita

Kranichberggasse 6, 1120 Vienna, Austria

T +43 50213 0

E steel@rhimagnesita.com

rhimagnesita.com

The Journal of
Refractory Innovations

bulletin

Subscriptions
Service and
Contributions

