

INTERSTOP®

STEEL / LADLE GAS PURGING

Safety Optimized Closing System SOC-H



Safety Optimized Closing System SOC-H

Overview

- Safety closing system for ladle purging plugs
- User-friendly design for safe, fast and simple operation
- Support purging plugs for clean steel production
- Industry-proven system solution including setting and extraction device

System Characteristics

- 100% reliable and safe
- Special design non-return valve guaranteeing top safety
- Supports plug hot exchange
- Simplifying working process
- 100% gas tight and easily detachable gas connection

Refractory Parts

- Purging plugs with customized shapes in different designs and grades
- Customized blocks and sleeves
- Wide refractory portfolio
- Prefabricated set assemblies with easy exchange technology

Maintenance and Support

- Minimal maintenance work required
- Long lifetime of parts
- Long inspection intervals, short inspection time
- INTERSTOP® after sales service

Main Parts

Gas connection

Interlocking device

Locking device

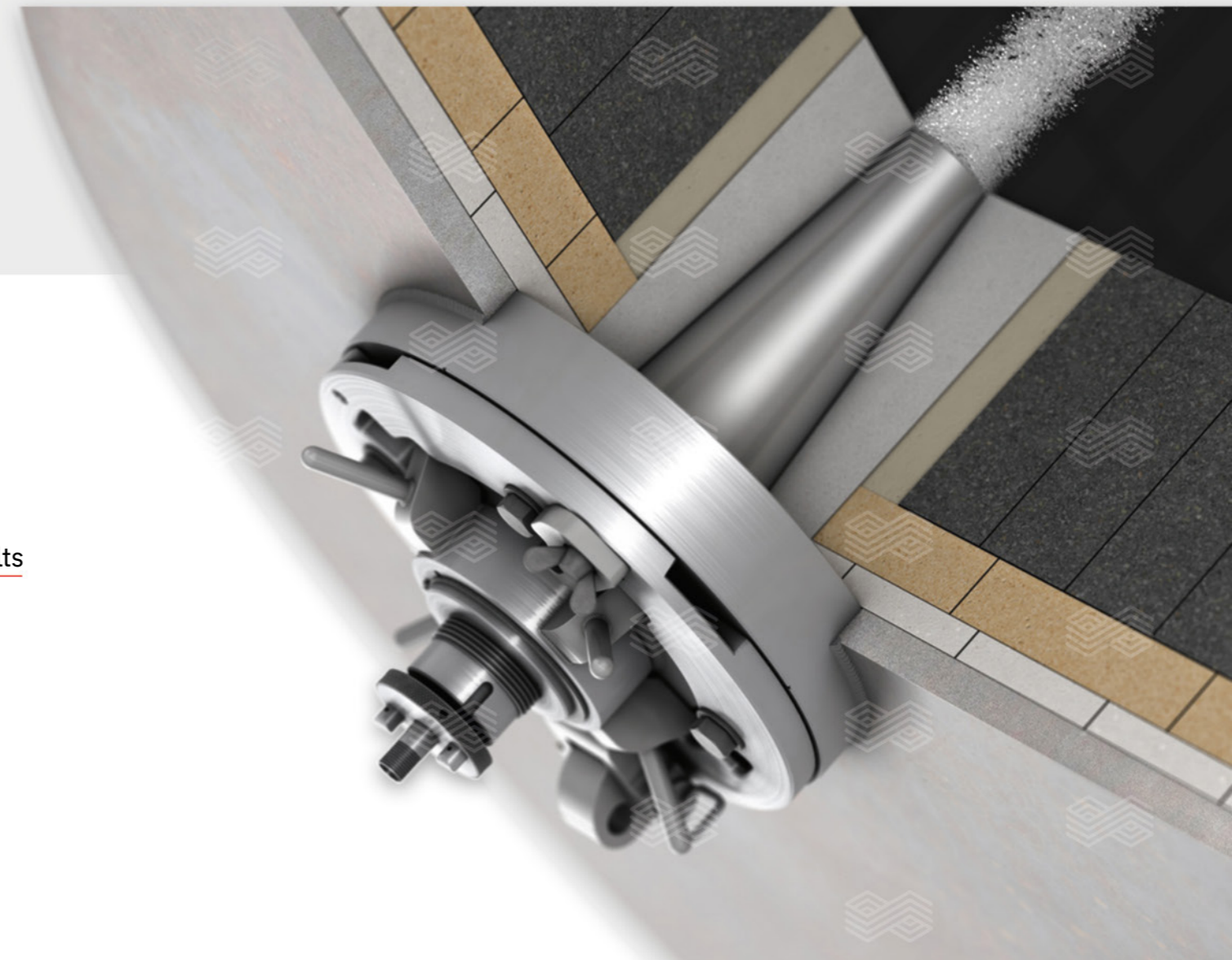
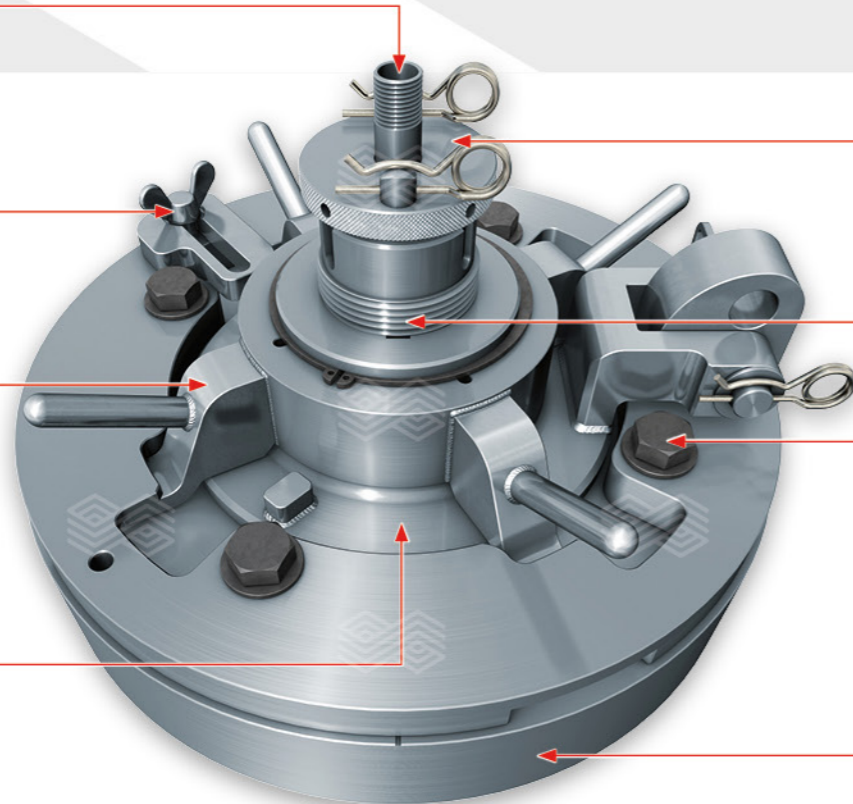
Closing plate

Gas seal

Spindle

M24x3 mounting bolts

Base plate



Purging



Video



Imprint:

Media owner and publisher: RHI Magnesita N.V., Branch Vienna, Kranichberggasse 6, 1120 Vienna, Austria

Produced by: RHI Magnesita — 05/2020-EN

Place of publication and production: Vienna, Austria



Copyright notice:

The texts, photographs and graphic design contained in this publication are protected by copyright. Unless indicated otherwise, the related rights of use, especially the rights of reproduction, dissemination, provision and editing, are held exclusively by RHI Magnesita. Usage of this publication shall only be permitted for personal information purposes. Any type of use going beyond that, especially reproduction, editing, other usage or commercial use is subject to explicit prior written approval by RHI Magnesita.

RHI Magnesita Interstop AG

Bösch 83a, 6331 Hünenberg, Switzerland

T +41 41 785 75 00

E interstop@rhimagnesita.com

RHI TRADING (DALIAN) CO., LTD

Shanghai Branch

Rm. 1803 Lippo Plaza, No. 222 Huaihai (M) Rd. 200021 Shanghai, P. R. China

T +86 21 23199507

E interstop@rhimagnesita.com

RHI US LTD.

3956 Virginia Avenue, Cincinnati, Ohio 45227 USA

T +1 513 527 6160

E interstop@rhimagnesita.com

RHI Magnesita

Kranichberggasse 6, 1120 Vienna, Austria

T +43 50213 0

E steel@rhimagnesita.com

rhimagnesita.com

The Journal of
Refractory Innovations

bulletin

Subscriptions
Service and
Contributions

